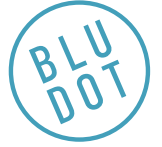
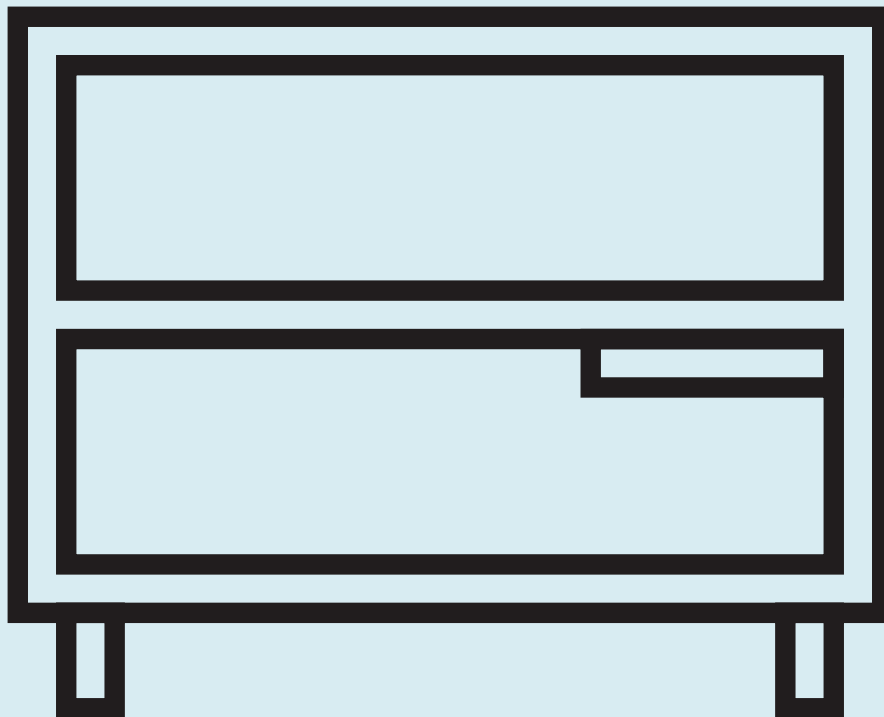


Modu-licious Bedside Table



DESIGNED IN 1999

ASSEMBLY NOTES | REV 00



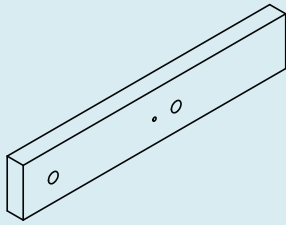
KEEP THE STUFF YOU LIKE AND STORE IT WELL.

Drawers and doors are your canvas with the award-winning Modu-licious series.

NEED A HAND?

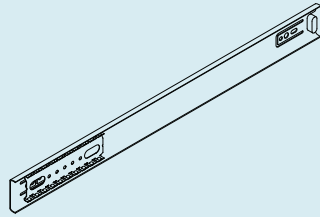
Contact us at service@bludot.com or **844.425.8368** for assistance.

Parts & Hardware



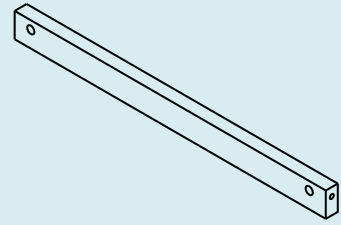
QTY 2

Foot



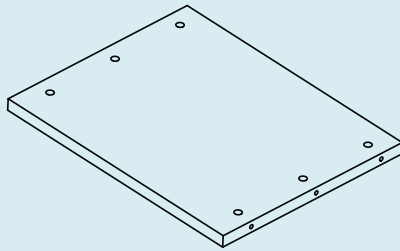
QTY 2

Drawer Slide



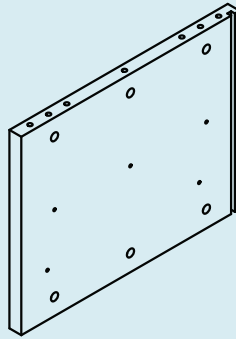
QTY 1

Stretcher



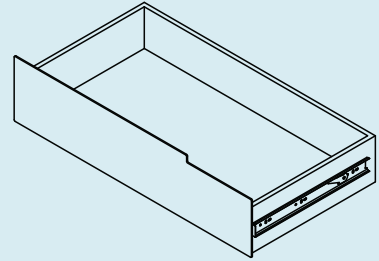
QTY 1

Shelf Panel



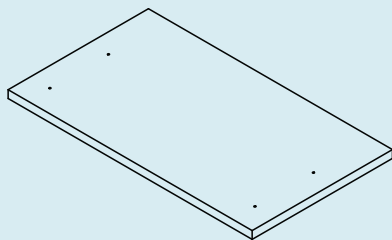
QTY 2

Side Panel



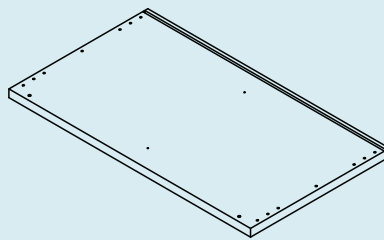
QTY 1

Drawer



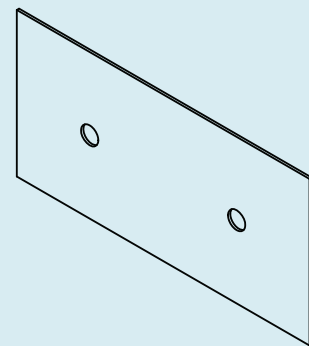
QTY 1

Bottom Panel



QTY 1

Top Panel



QTY 1

Back Panel

Parts & Hardware



QTY 18

Pt. 5001



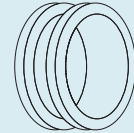
QTY 4

Pt. 1023



QTY 4

Pt. 4005



QTY 1

Pt. 8018



QTY 18

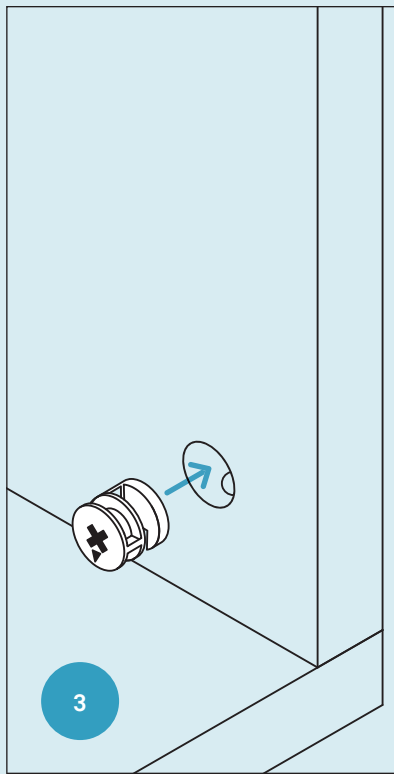
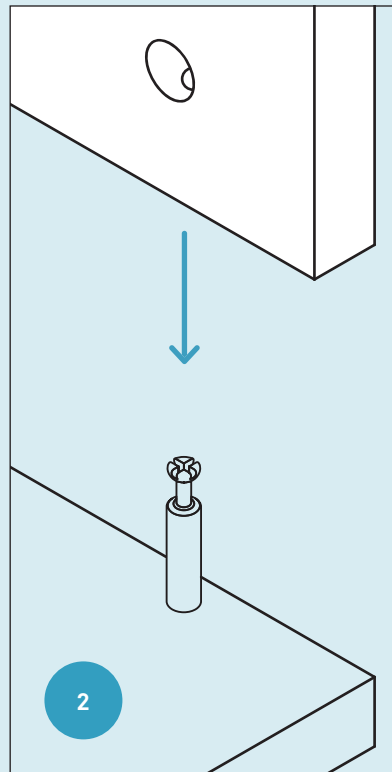
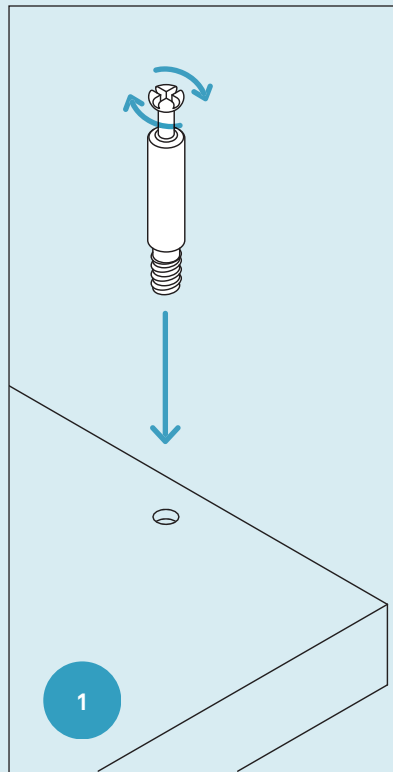
Pt. 5002



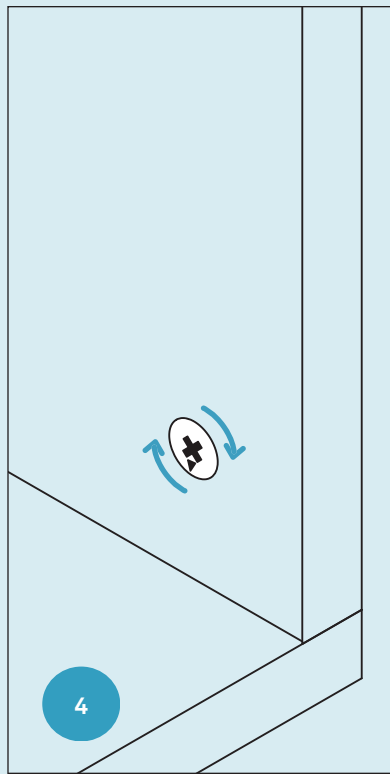
QTY 22

Pt. 5005

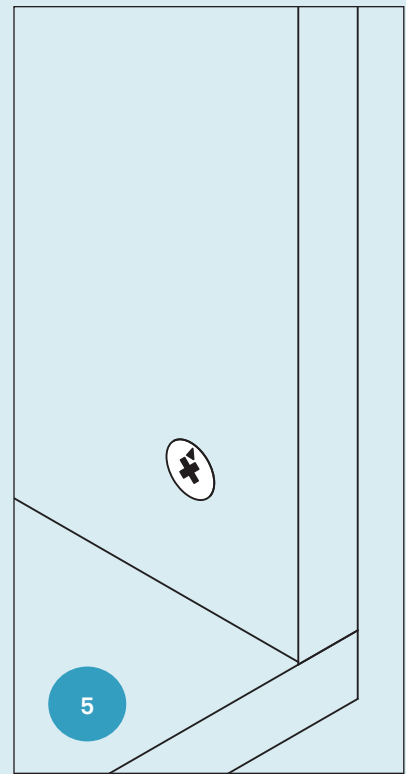
How to use the cam lock system



Note direction of cam arrow.



Turn cam clockwise 1/2 turn or until tight.

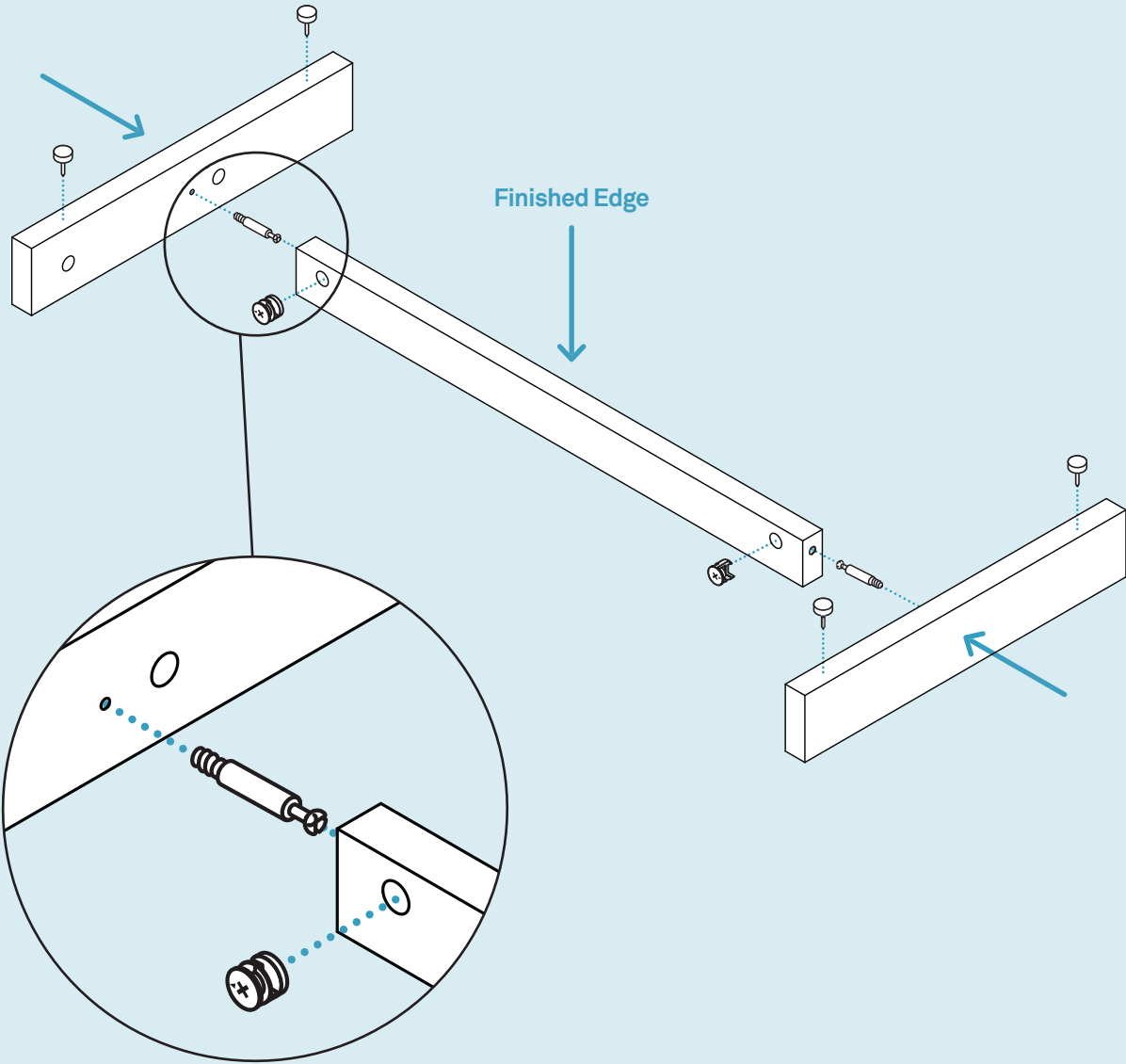


Note direction of cam arrow.

Step 01

ASSEMBLE BASE.

Using the stretcher and feet assemble the base as shown. Refer to Page 3 on how to use the cam lock system.

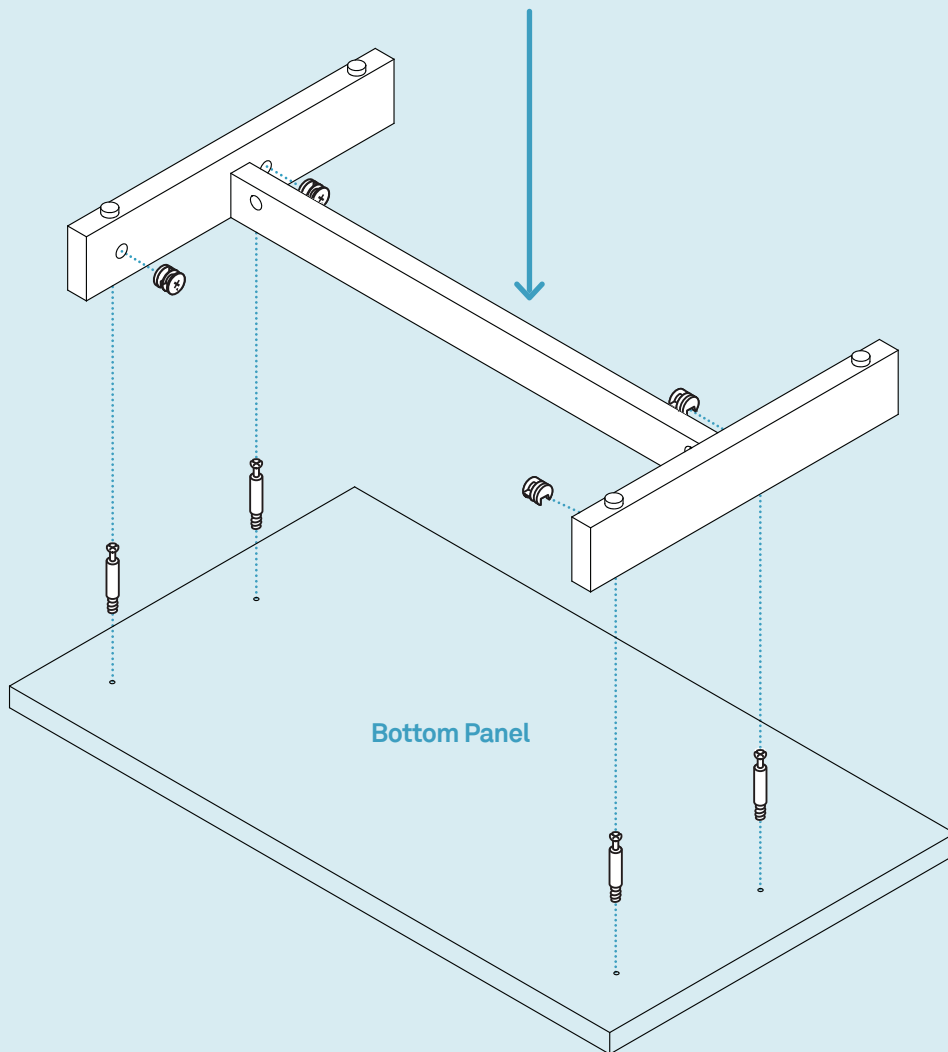


PT. 5001 x 2 PT. 5002 x 2 PT. 4005 x 4

Step 02

ATTACH BOTTOM PANEL.

Attach the bottom panel to the base using the provided hardware as shown. Refer to page 3 on how to use the cam lock system.



PT. 5001 X 4

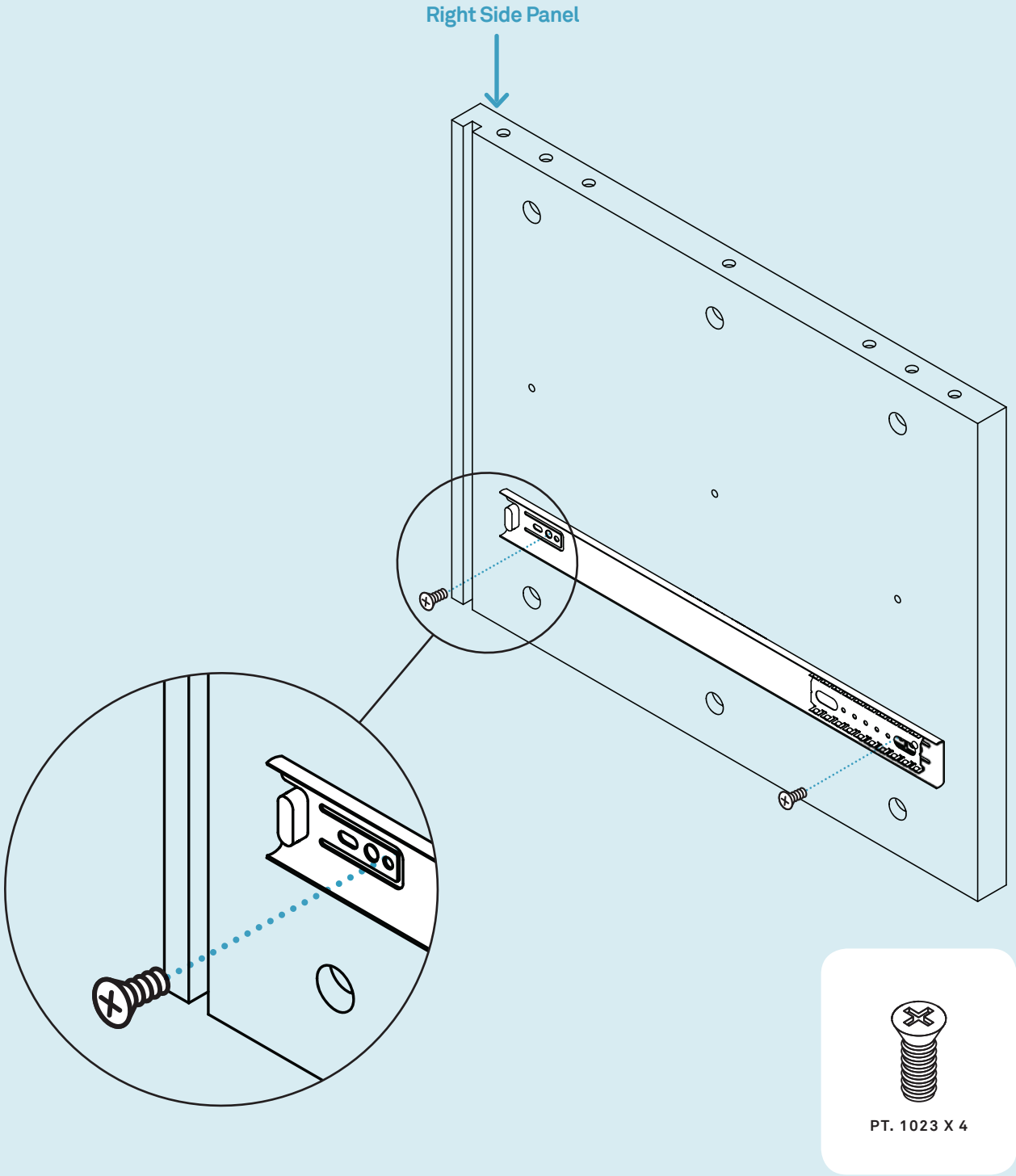


PT. 5002 X 4

Step 03

ATTACH DRAWER SLIDES.

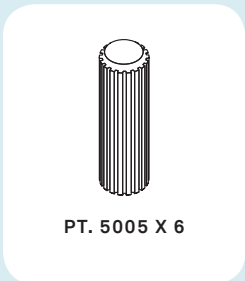
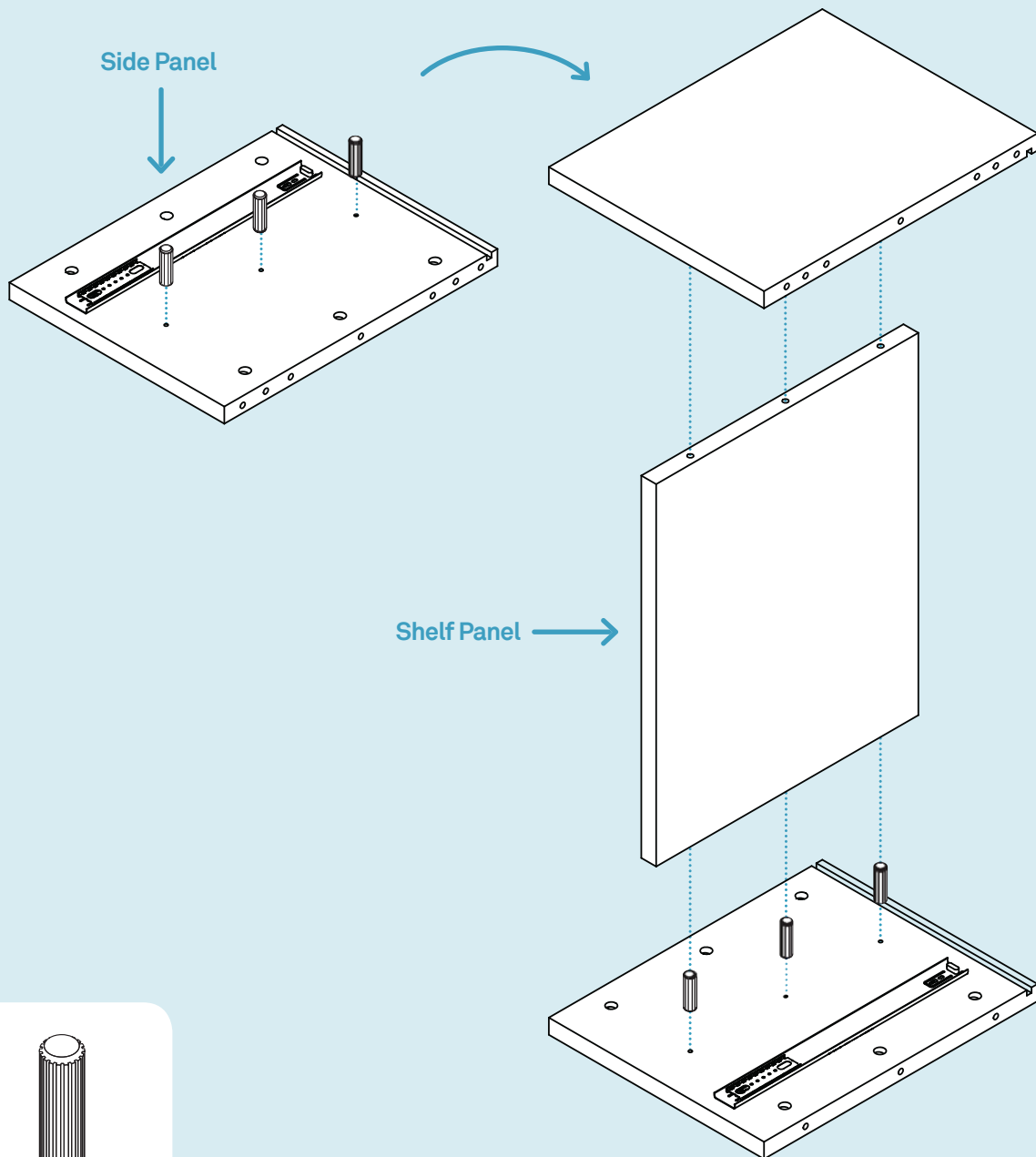
Attach drawer slides to side panel as shown using the provided hardware. Repeat for left side panel.



Step 04

BEGIN ASSEMBLING CASE.

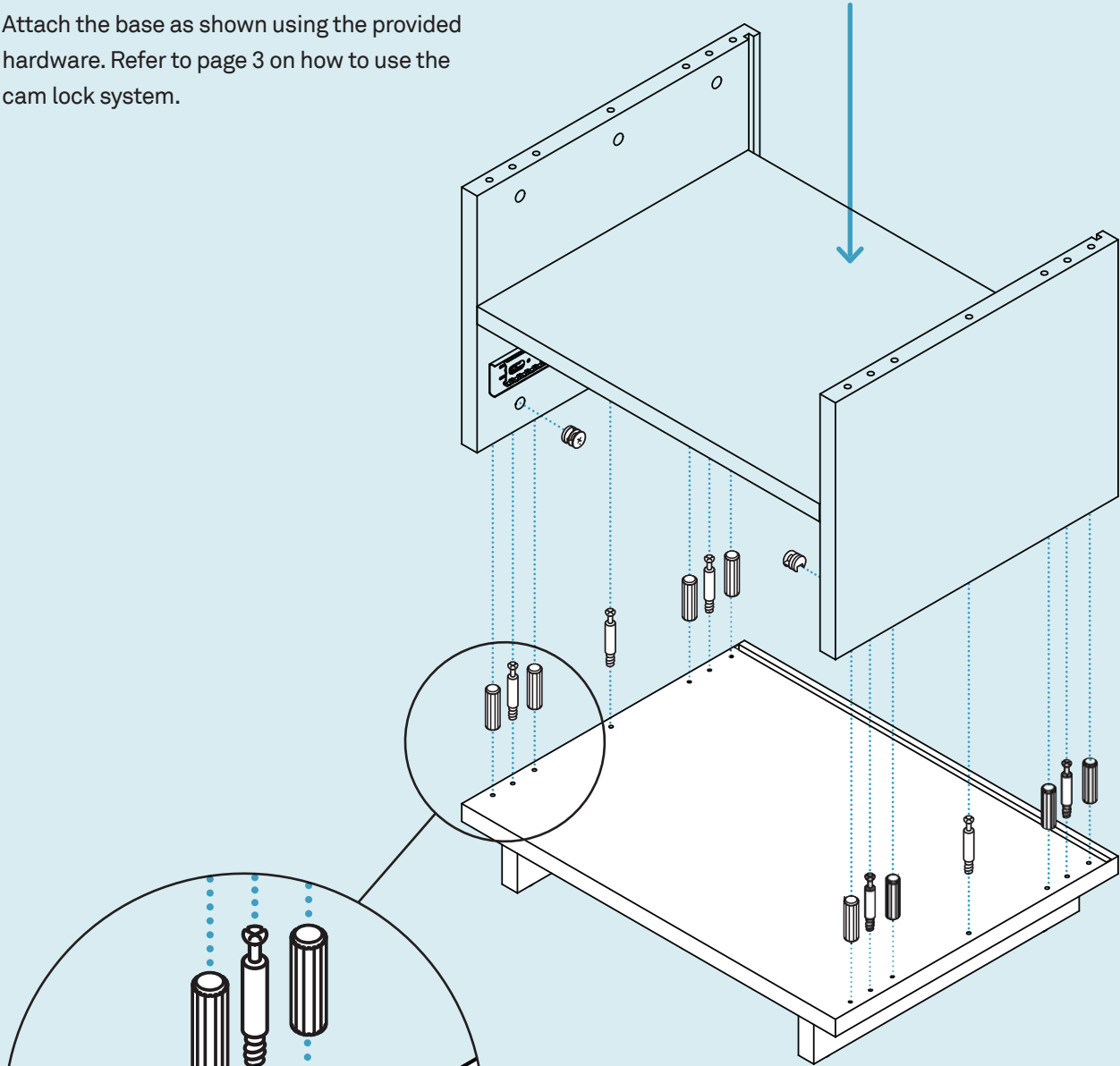
Attach side panels to shelf panel as shown using the provided hardware. Be sure to align grooves on side panels. Refer to page 3 on how to use the cam lock system.



Step 05

ATTACH BASE.

Attach the base as shown using the provided hardware. Refer to page 3 on how to use the cam lock system.

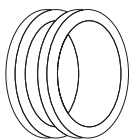
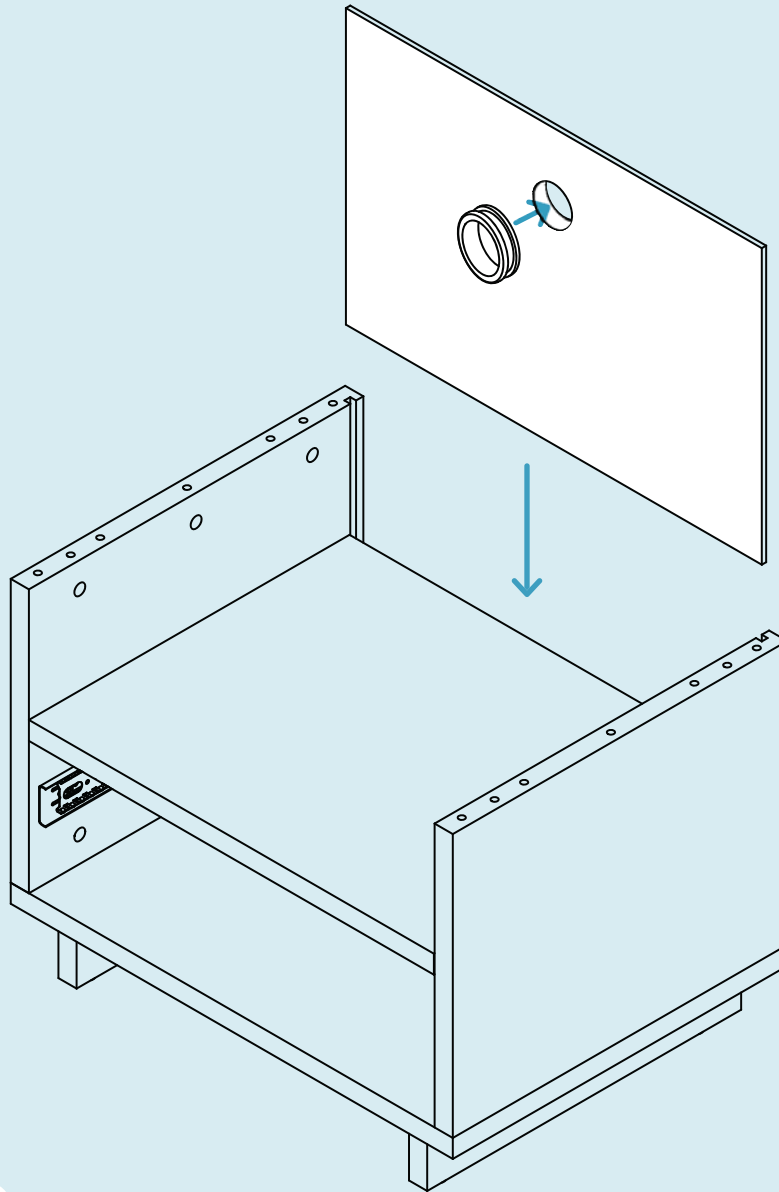


PT. 5001 x 6 PT. 5002 x 6 PT. 5005 x 8

Step 06

INSERT THE BACK PANEL.

Add rubber grommet to back panel as shown. Insert back panel into grooves in case.

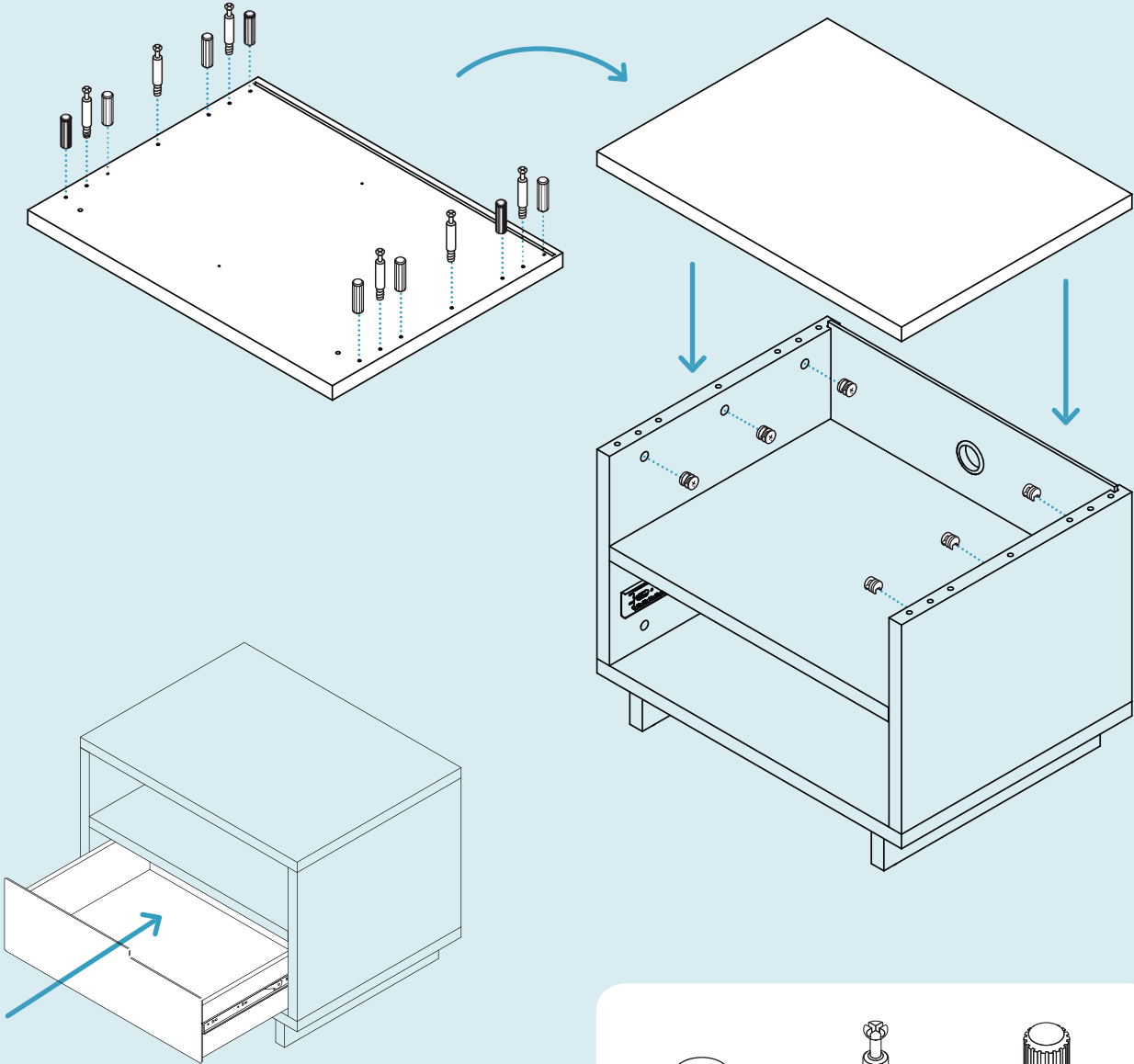


PT. 8018 X 1

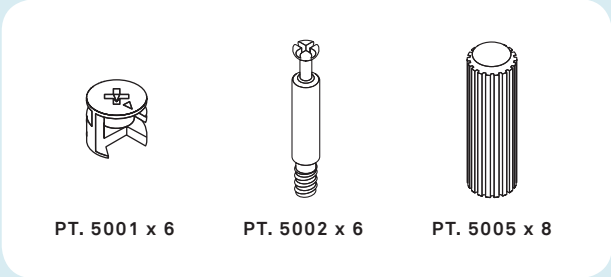
Step 07

FINISH ASSEMBLING CASE.

Finish assembling the case by attaching the top panel as shown using the provided hardware. Refer to page 3 on how to use the cam lock system.



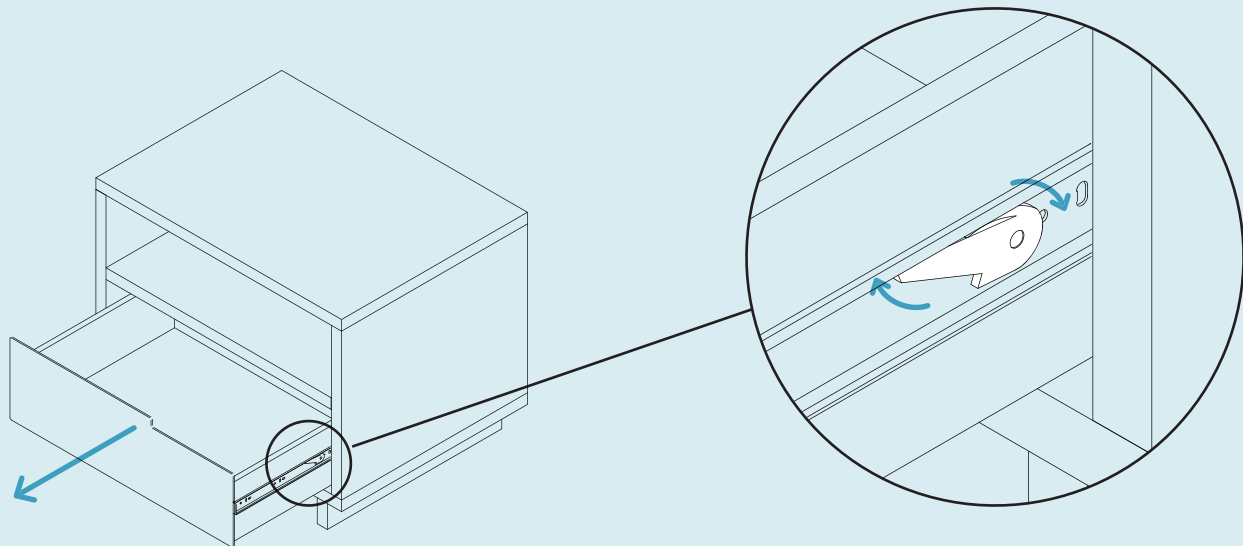
To install the drawer extend drawer slides out from case, align with drawer slides as shown, and slide drawer in. Be sure to push until drawer is completely closed and engaged.



Additional Information

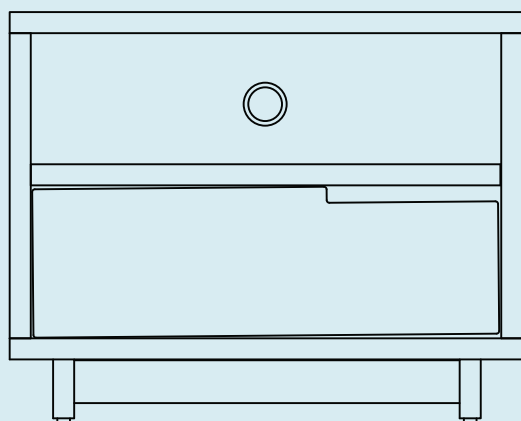
TO REMOVE DRAWERS

Pull lever up on the right side and push down on the left side of the drawer slide. With levers engaged pull drawer out.



TO ADJUST DRAWER FRONTS

Loosen the acorn nuts, adjust drawer front, re-tighten acorn nuts.



CLEAN

Clean with a slightly damp, soft cloth. To remove dirt and fingerprints, use a quality cleaner formulate for wood furniture. Wipe completely dry with a soft cloth in the direction of the wood grain.

